

Monash Biotech **Holding** Micropipettes

Holding micropipettes are designed to hold and immobilize the oocyte or embryo. Monash Biotech holding micropipettes have a blunt and polished opening.

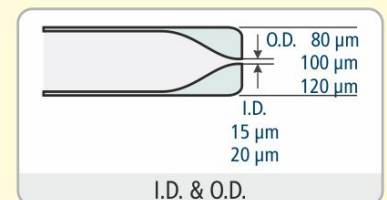
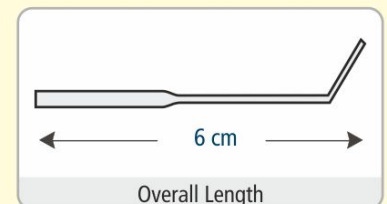
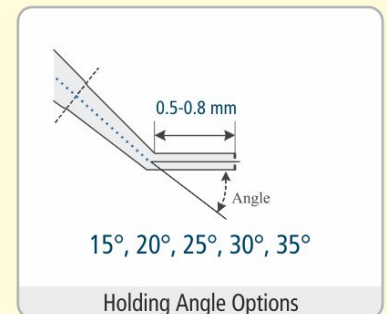
Holding Micropipettes (10 per box) *

Catalogue No.	Description	I.D.	O.D.
MBH-1580-00	Straight	15 μ m	80 μ m
MBH-1580-15	15° angled	15 μ m	80 μ m
MBH-1580-20	20° angled	15 μ m	80 μ m
MBH-1580-25	25° angled	15 μ m	80 μ m
MBH-1580-30	30° angled	15 μ m	80 μ m
MBH-1580-35	35° angled	15 μ m	80 μ m

Catalogue No.	Description	I.D.	O.D.
MBH-15100-00	Straight	15 μ m	100 μ m
MBH-15100-15	15° angled	15 μ m	100 μ m
MBH-15100-20	20° angled	15 μ m	100 μ m
MBH-15100-25	25° angled	15 μ m	100 μ m
MBH-15100-30	30° angled	15 μ m	100 μ m
MBH-15100-35	35° angled	15 μ m	100 μ m

Catalogue No.	Description	I.D.	O.D.
MBH-20100-00	Straight	20 μ m	100 μ m
MBH-20100-15	15° angled	20 μ m	100 μ m
MBH-20100-20	20° angled	20 μ m	100 μ m
MBH-20100-25	25° angled	20 μ m	100 μ m
MBH-20100-30	30° angled	20 μ m	100 μ m
MBH-20100-35	35° angled	20 μ m	100 μ m

Catalogue No.	Description	I.D.	O.D.
MBH-15120-00	Straight	15 μ m	120 μ m
MBH-15120-15	15° angled	15 μ m	120 μ m
MBH-15120-20	20° angled	15 μ m	120 μ m
MBH-15120-25	25° angled	15 μ m	120 μ m
MBH-15120-30	30° angled	15 μ m	120 μ m
MBH-15120-35	35° angled	15 μ m	120 μ m



- * micropipettes are individually packed and sterile
- * measurement tolerance \pm 5%
- * taper length 700 μ m